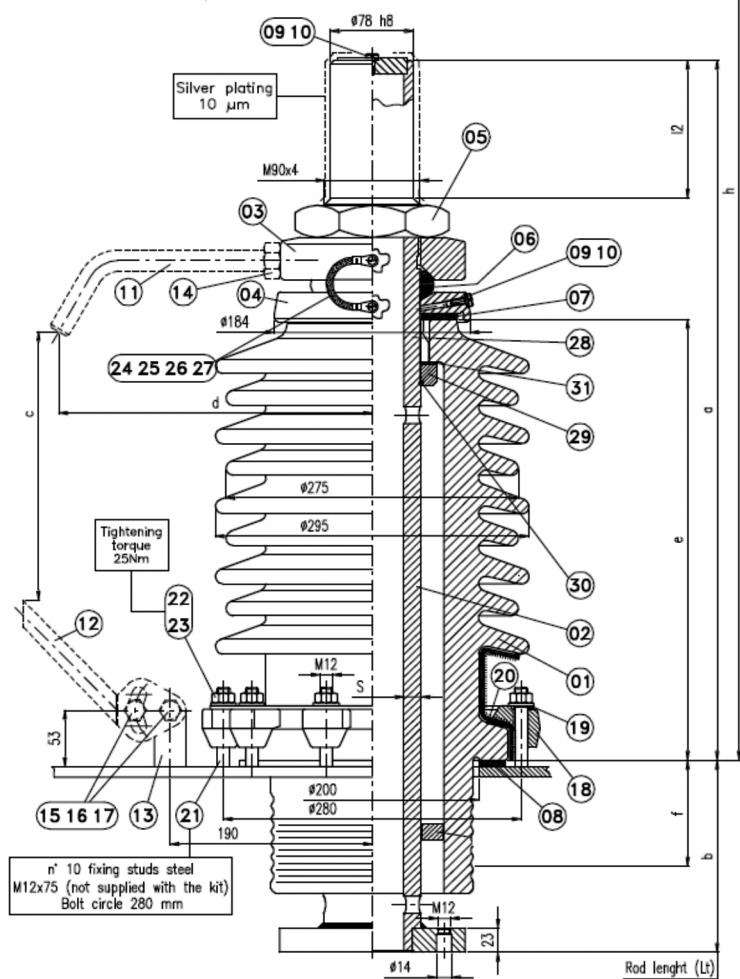
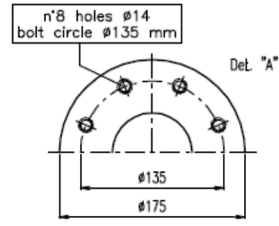


Flag 8000 A  
type TP-180  
SILVER PLATED 10 µm  
(Supplied upon request)

Flag 5000 A  
type TP-120  
TINPLATED 10 µm  
(Supplied upon request)



Pos.	Description
1	Porcelain
2	Copper tube
3	Tightening ring
4	Cap disc
5	Brass nut
6	Ring gasket
7	Flat gasket
8	Flange gasket
9+10	Vent/screw & gasket
11+17	Arcing horns assembly
18	Clamping piece
19	Fixing ring
20	Copper spacer ring
21	Fixing stud M12x75 (not supplied)
22+23	Nut & washer M12
24+27	Equipotential link
28+30	Antirotating and stopper device
31	Fiber gasket



Bushing	Voltage kV	Current A	Creepage distance mm	PF 1' kV	BIL kV	a mm	b mm	c mm	d mm	e mm	f mm	h mm	l2 mm	s mm	(Lt) mm	Z n° of sheds	G.W. Kg	Note
36/5-P3	36	5000	900	77	170	635	175	220	320	415	125	770	100	16	810	9	80	Acc. EN50243: 2002-04
36/8-P3		8000				665						790	130	21	840			
36/5-P4		5000	1100*			701	199	286		481	149	839	100	16	900	11	85	
36/8-P4		8000				731						859	130	21	930		95	