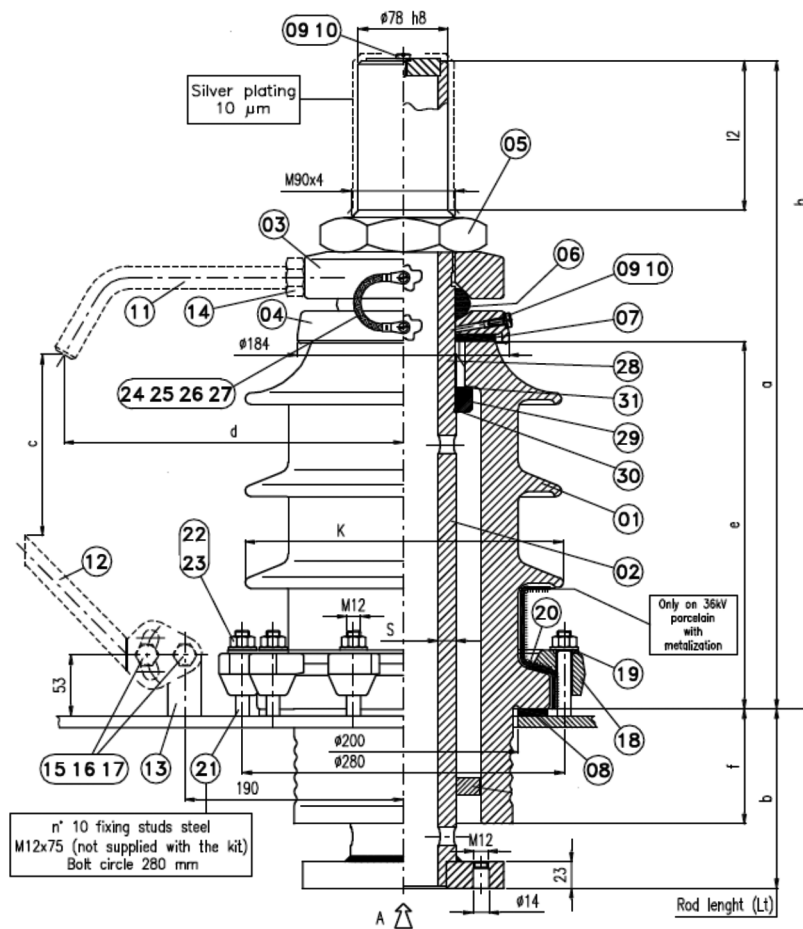
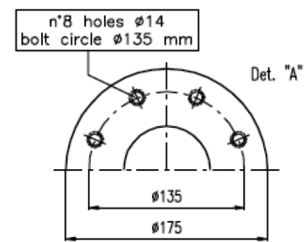


Flag 5000 A
type TP-120
TINPLATED 10 μ m
(Supplied upon request)



Pos.	Description
1	Porcelain
2	Copper tube
3	Tightening ring
4	Cap disc
5	Brass nut
6	Ring gasket
7	Flat gasket
8	Flange gasket
9+10	Vent/screw & gasket
11+17	Arcing horns assembly
18	Clamping piece
19	Fixing ring
20	Copper spacer ring
21	Fixing stud M12x75 (not supplied)
22+23	Nut & washer M12
24+27	Equipotential link
28+30	Antirotating and stopper device
31	Fiber gasket



Bushing	Voltage kV	Current A	Creepage distance mm
24/5-P2	24	5000	480 *
24/8-P2		8000	
24/5-P4		5000	
36/5-P2	36	5000	744
24/8-P4	24	8000	
36/8-P2	36	8000	

BIL kV	a mm	b mm	c mm	d mm	e mm	f mm	h mm	12 mm	s mm	k mm
125	540	150	155	295	320	100	678	100	16	285*
	570							698	130	
170	635	175	220	320	415	125	770	100	16	320
125	665		155	295			800	130	21	
170			220	320			800	130	21	

Full glaze Porcelain
without flange metallization